

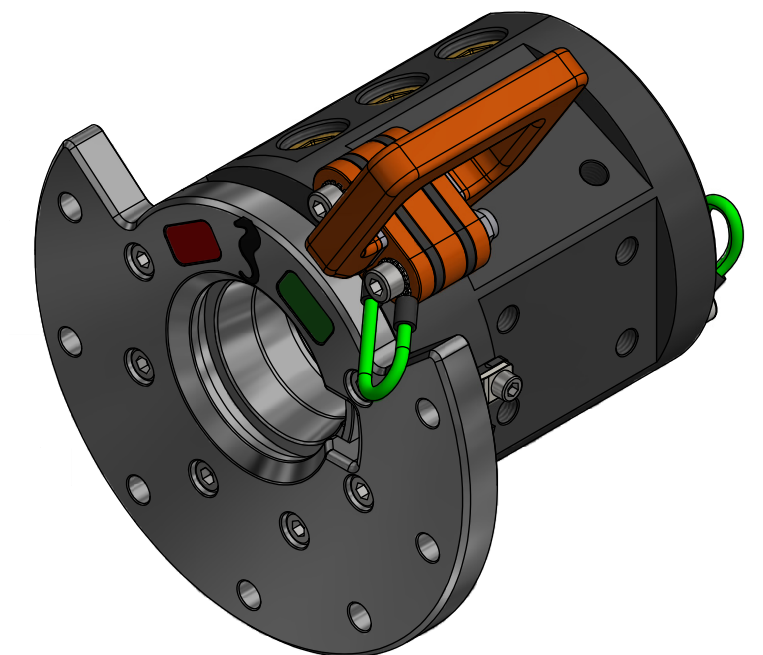
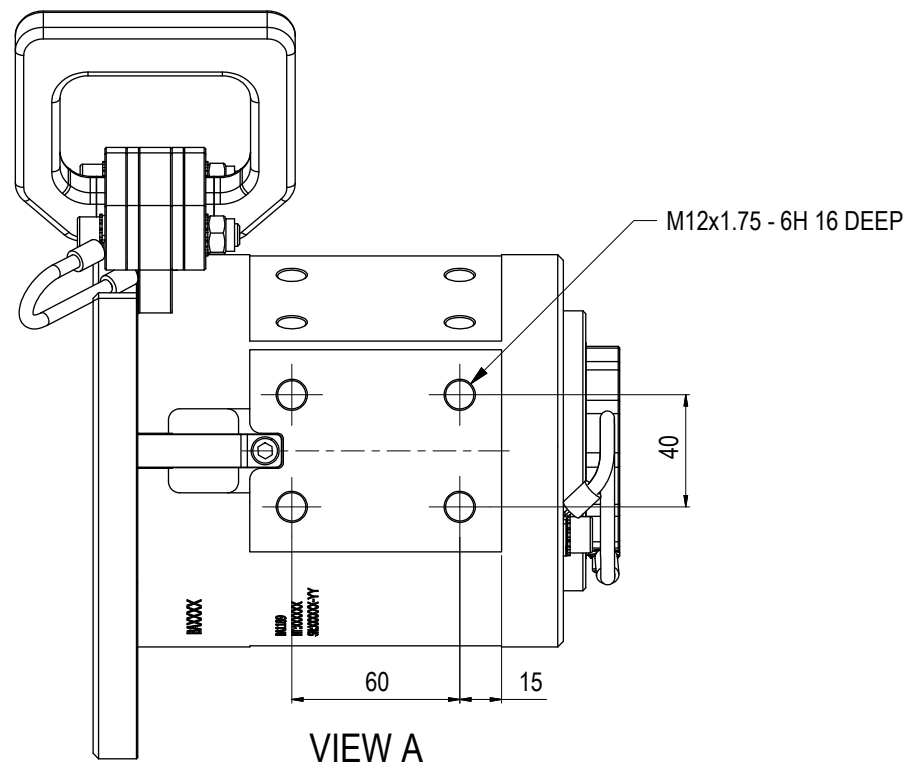
NOTE: 1
DESIGN CODE:
N/A

NOTE: 2
TECHNICAL CLASSIFICATION:
Article Type: 003-Valve Stabs
Main Group: 3.04. $\phi 60$ -Valvestab
Intermediate Group: 3.34.02. Receptacle
Sub Group: 3.34.75.3. Triple

NOTE: 3
INTERFACE INFORMATION:
Pressure Rating Bar: 250
Material: Intervention
Weight: 10,6 kg
Volume: 2,22 dm³
Surface Area: 4389 cm²
Hydraulic: 2x3/4" BSP & 1x1/2" BSP
Mechanical: N/A
Electrical: N/A
Com. & Protocol: N/A

NOTE: 4
SPAREPARTS:
BB1703

NOTE: 5
ADDITIONAL INFORMATION:
Usermanual: 600134-TD-0004



Rev.	Date	Reason for issue	Revision change	Made	Chk'd	Appr.
12	29.5.2024	9-IFU (Issued for Use)		WTJ	HNJ	WTJ
11	14.11.2023	9-IFU (Issued for Use)		WTJ	LGH	WTJ
10	19.7.2021	9-IFU (Issued for Use)		WTJ	LGH	WTJ
09	31.1.2019	9-IFU (Issued for Use)		WTJ	LGH	WTJ

BLUE LOGIC

Dwg Scale:
NTS
Dwg Proj:
Dwg Format:
A3

Drawing title:
 $\phi 60$ TP VStab Rec 250Bar Interv Man BSP 3/4"-1/2" Panel Mount

Drawing number:
BA2095

Rev
12